



DHANAM



CARDIAC INSTRUMENTS



 +91 99401 10238

Rib / Sternal Spreaders

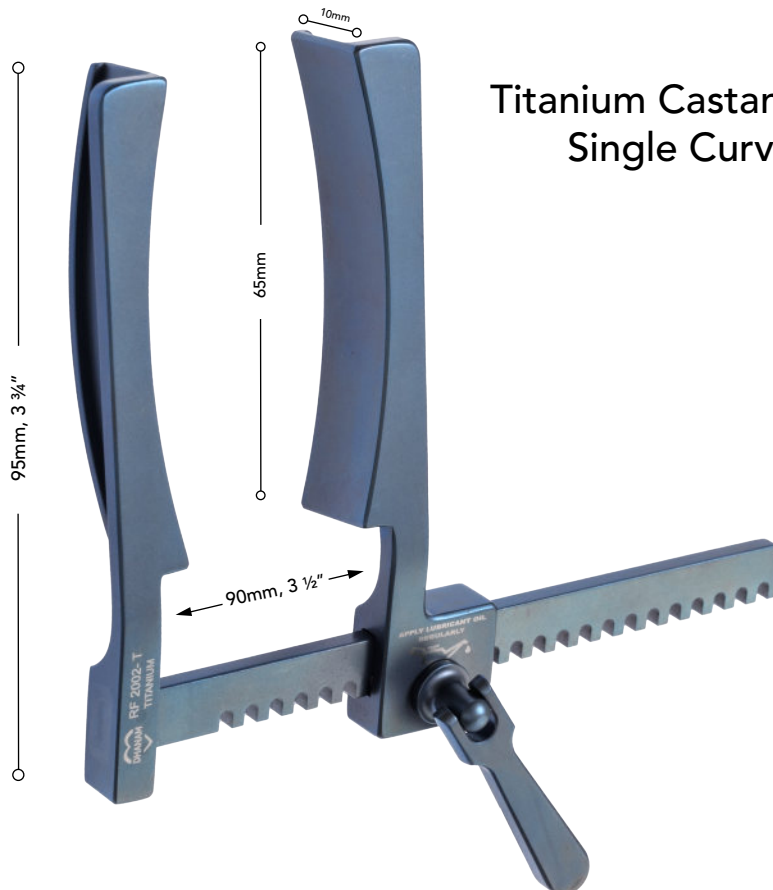
RF 2001T



Titanium Castaneda Retractor with Single Curved Blade Extra Small

1/1

RF 2002T

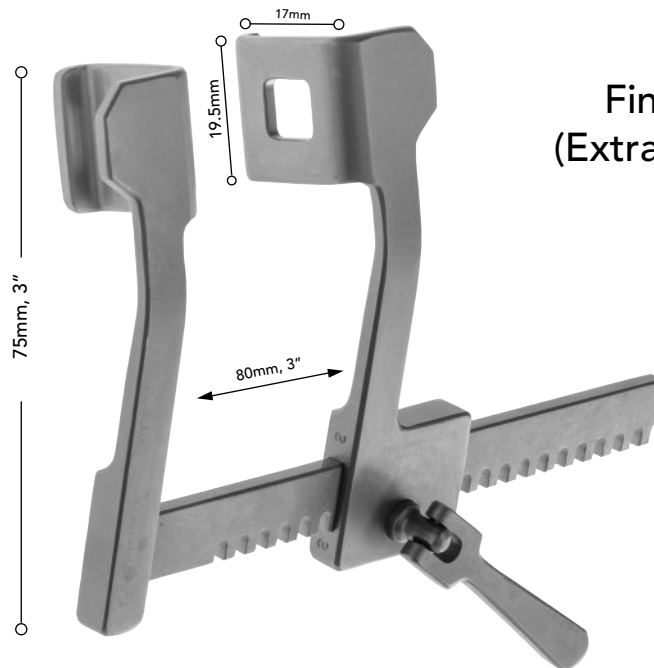


Titanium Castaneda Retractor with Single Curved Blade Small

1/1

Rib / Sternal Spreaders

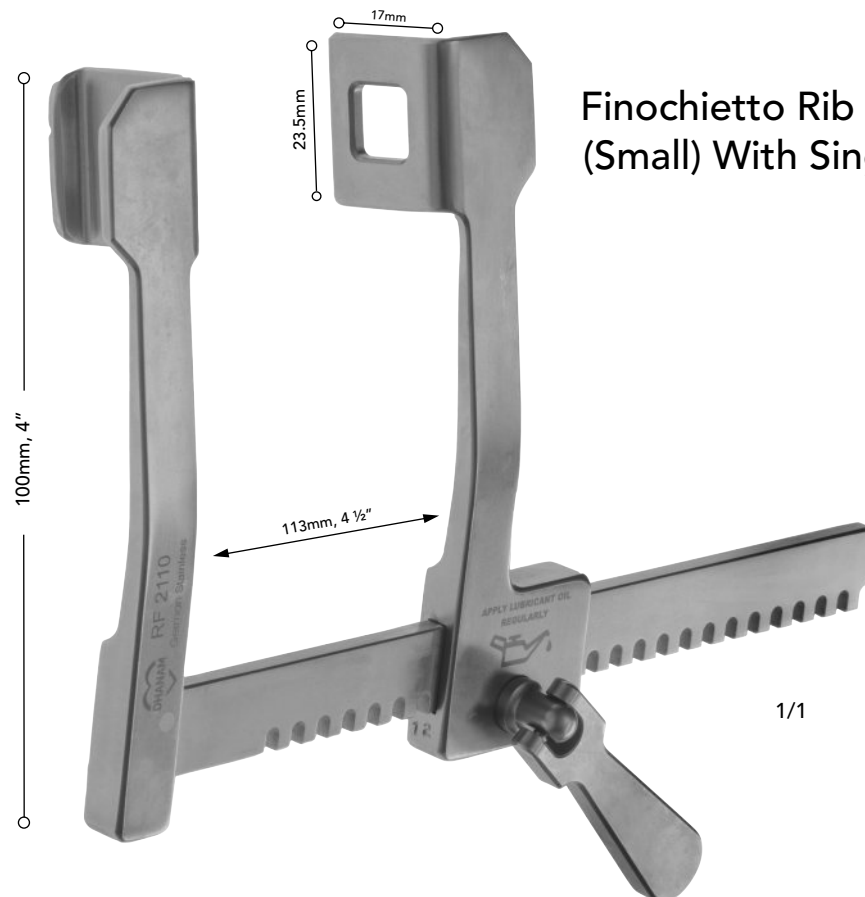
RF 2008



Finochietto Rib Retractor
(Extra Small) With Single Blade

1/1

RF 2110

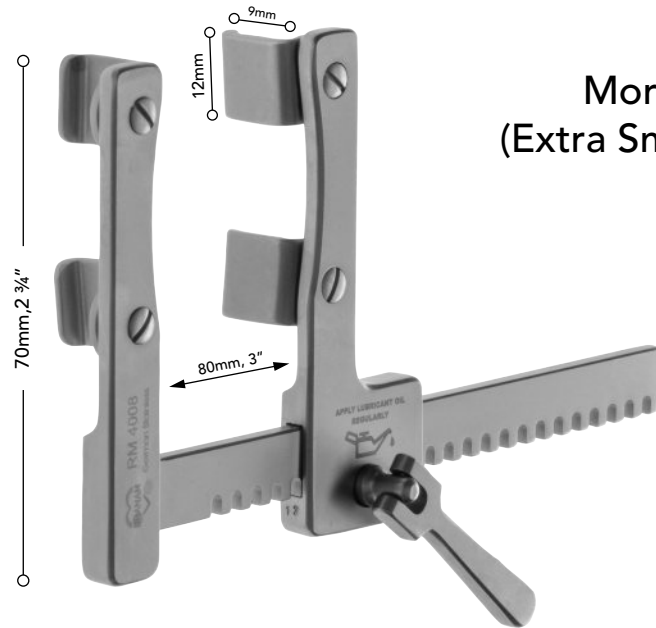


Finochietto Rib Retractor
(Small) With Single Blade

1/1

Rib / Sternal Spreaders

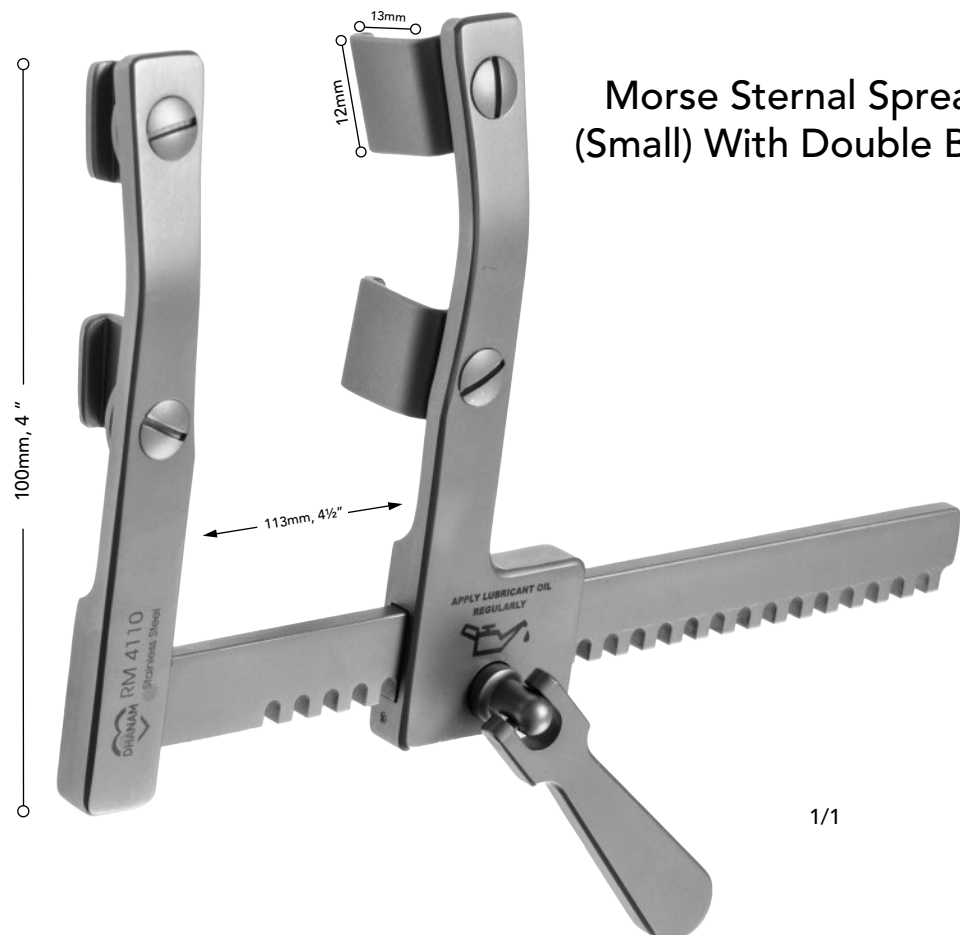
RM 4008



Morse Sternal Spreader
(Extra Small) With Double Blades

1/1

RM 4110

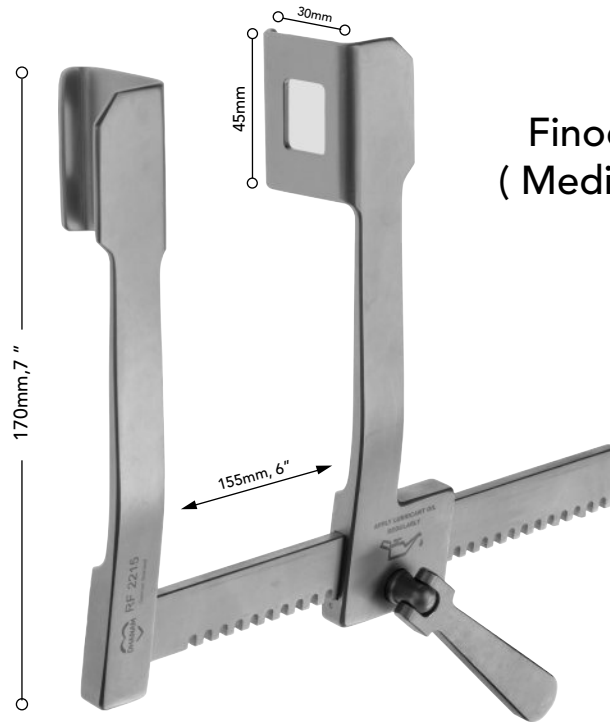


Morse Sternal Spreader
(Small) With Double Blades

1/1

Rib / Sternal Spreaders

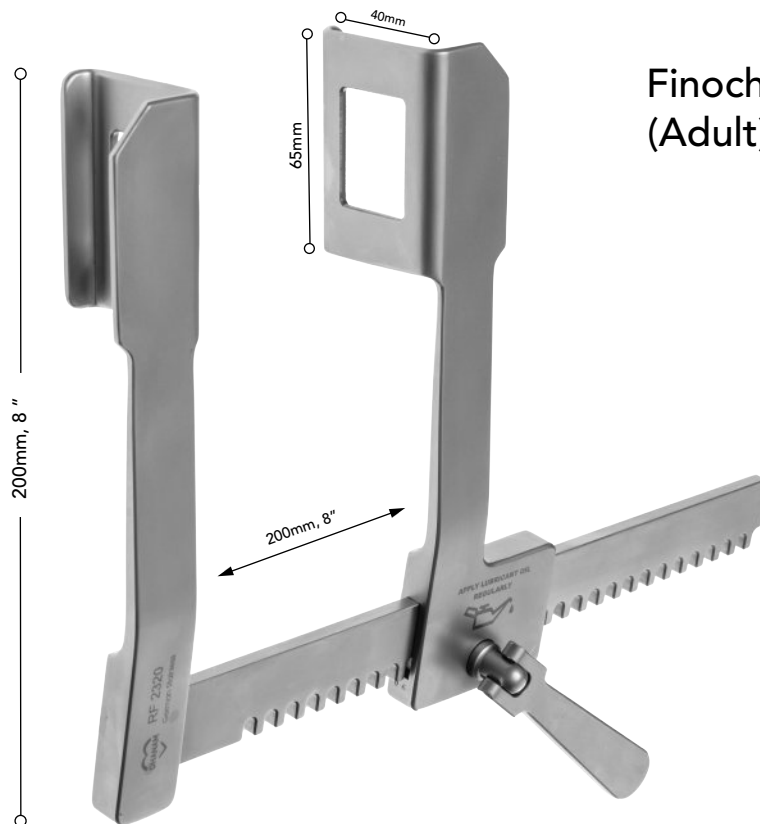
RF 2215



Finochietto Rib Retractor (Medium) With Single Blade

1/2

RF 2320

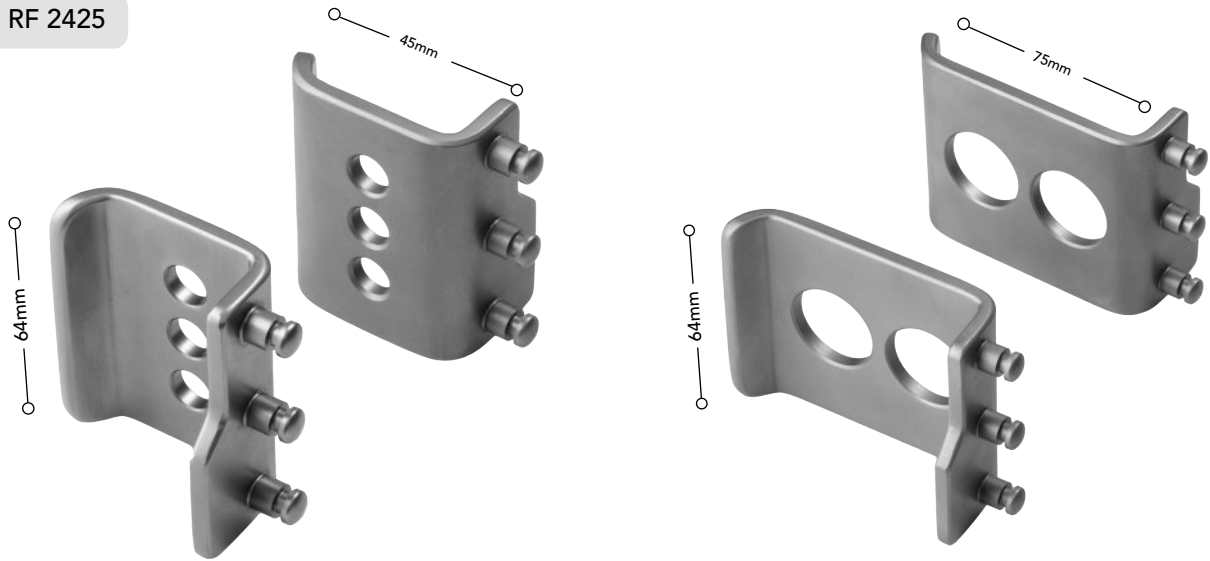


Finochietto Rib Retractor (Adult) With Single Blade

1/2

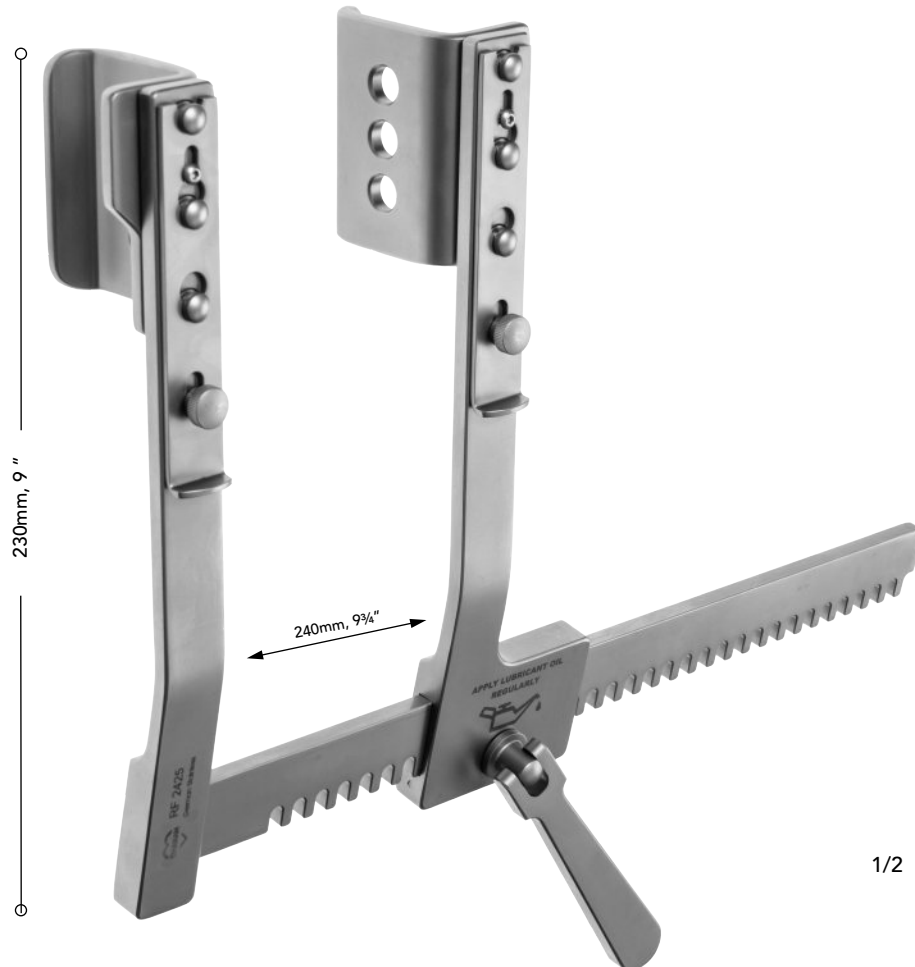
Rib / Sternal Spreaders

RF 2425



Small Blade - 45x64mm

Big Blade - 75x64mm

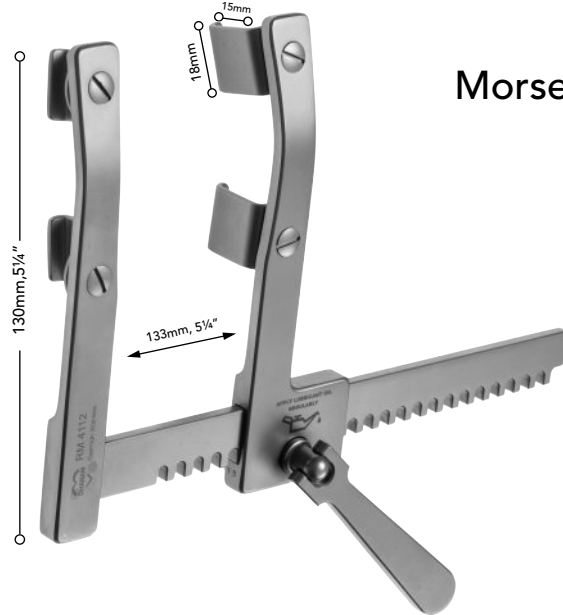


1/2

Finochietto Burford Retractor With Two Pair of Detachable Blades

Rib / Sternal Spreaders

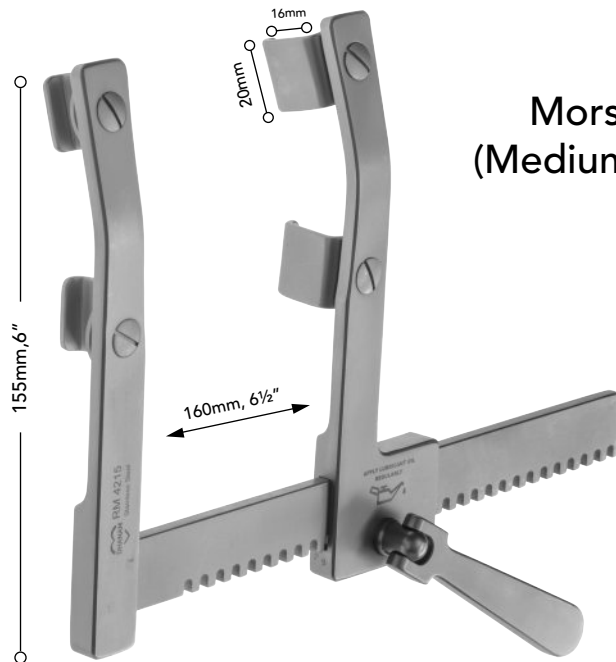
RM 4112



Morse Sternal Spreader Inbetween Medium & Small (IMS)

1/2

RM 4215

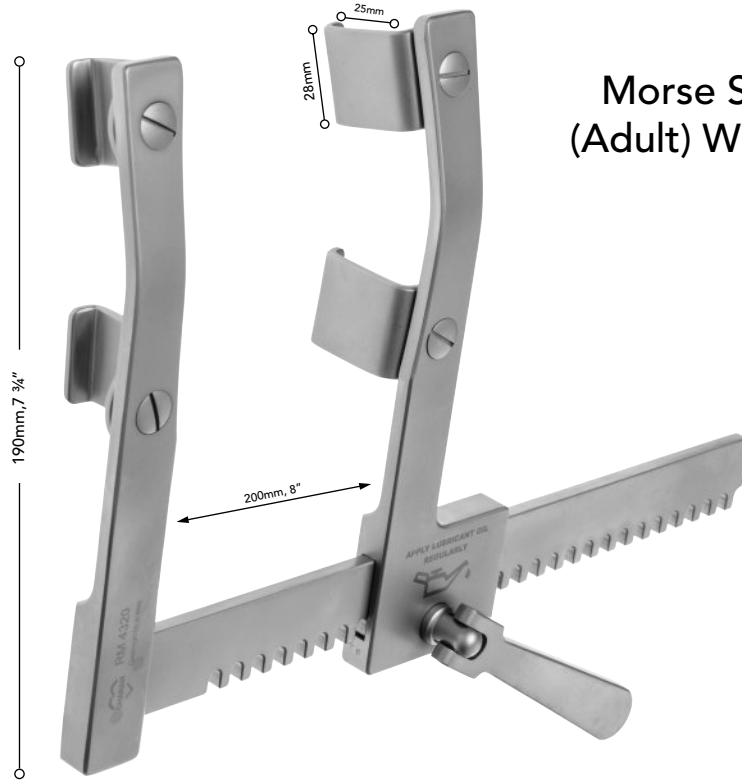


Morse Sternal Spreader (Medium) With Double Blades

1/2

Rib / Sternal Spreaders

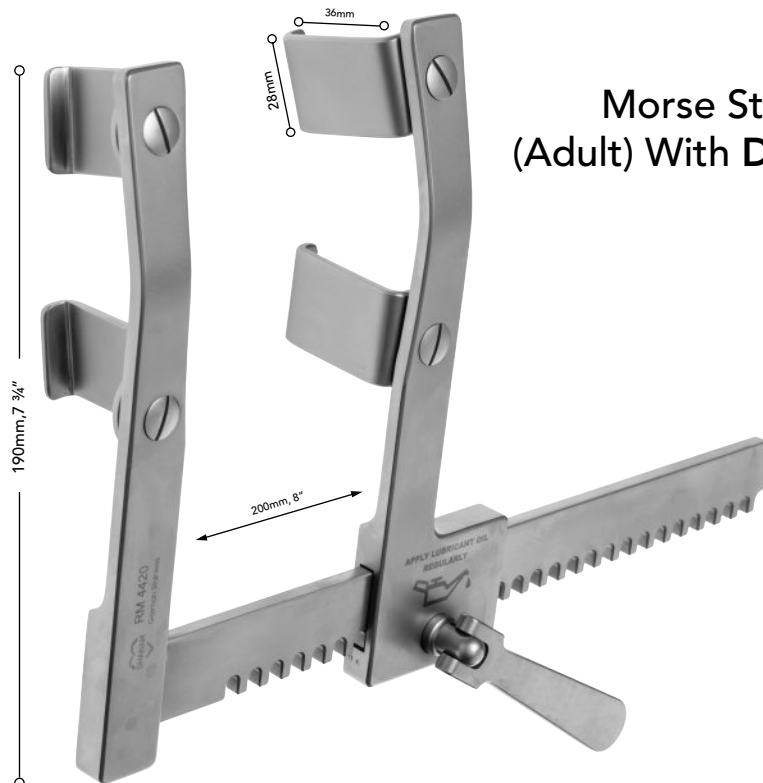
RM 4320



Morse Sternal Spreader (Adult) With Double Blades

1/2

RM 4420

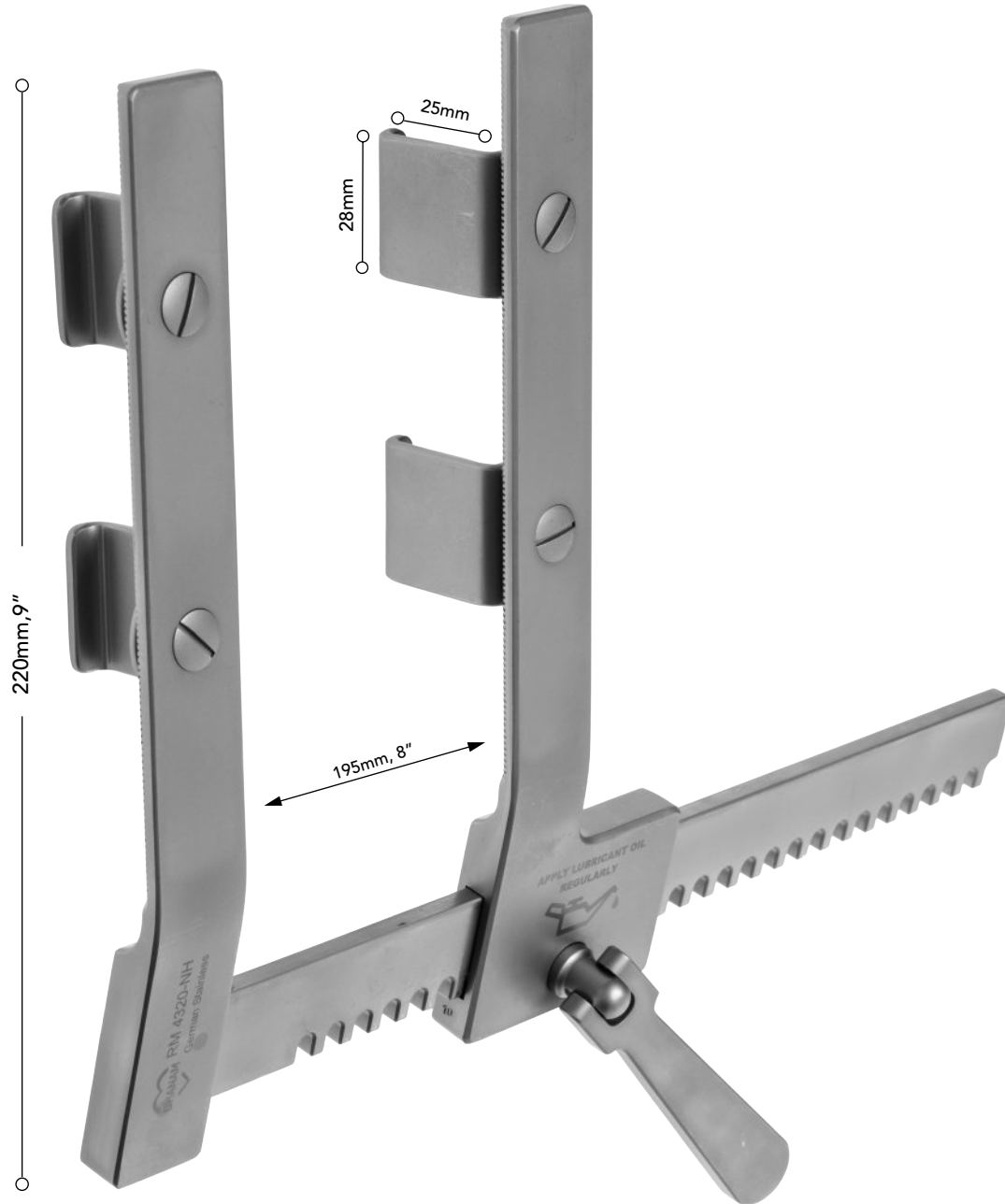


Morse Sternal Spreader (Adult) With **DEEP** Double Blades

1/2

Rib / Sternal Spreaders

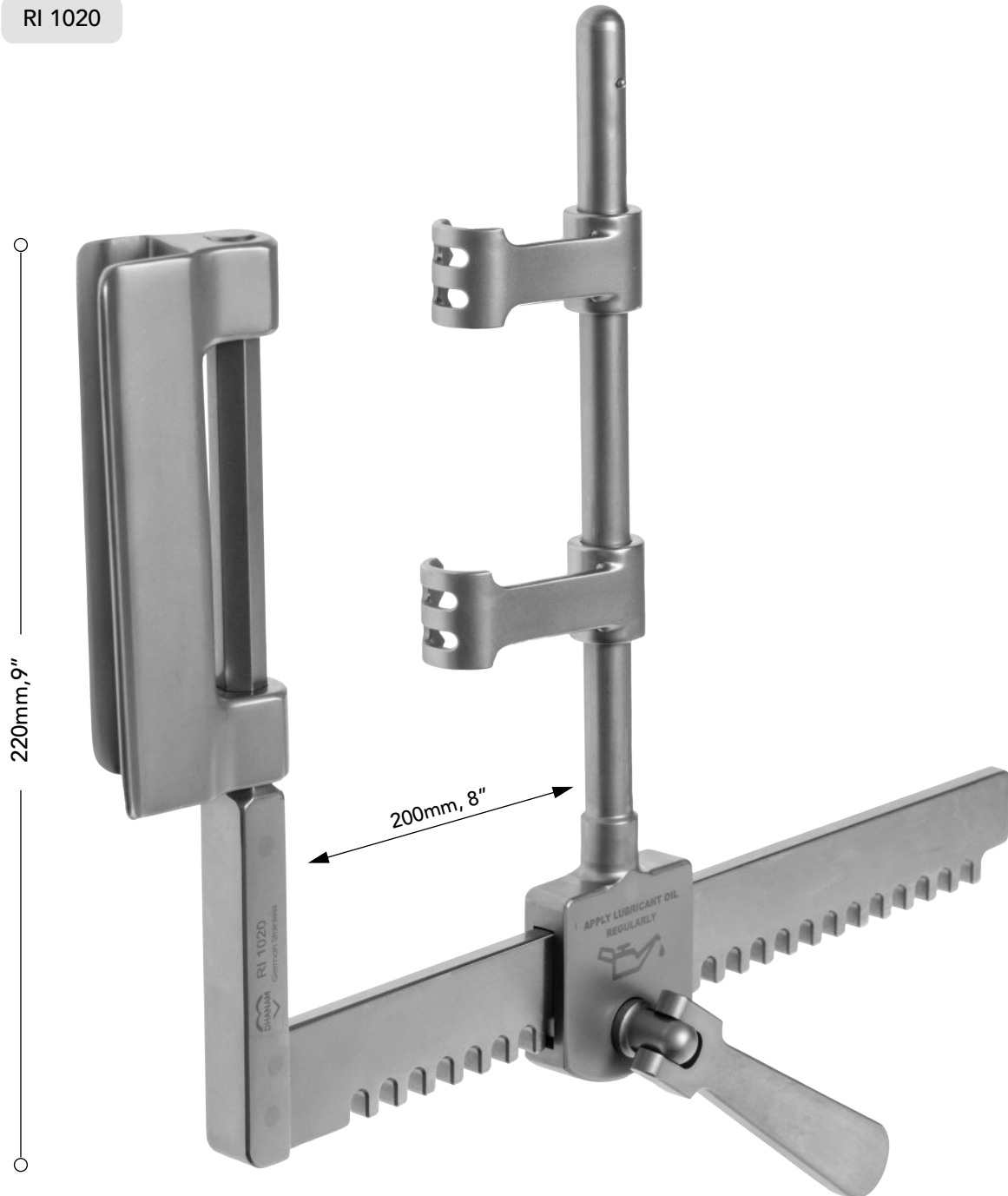
RM 4320-NH



Morse Sternal Spreader (Adult)
with tissue stabilizer compatibility

Rib / Sternal Spreaders

RI 1020



IMA Retractor

Rib / Sternal Spreaders

RI 0110



1/1

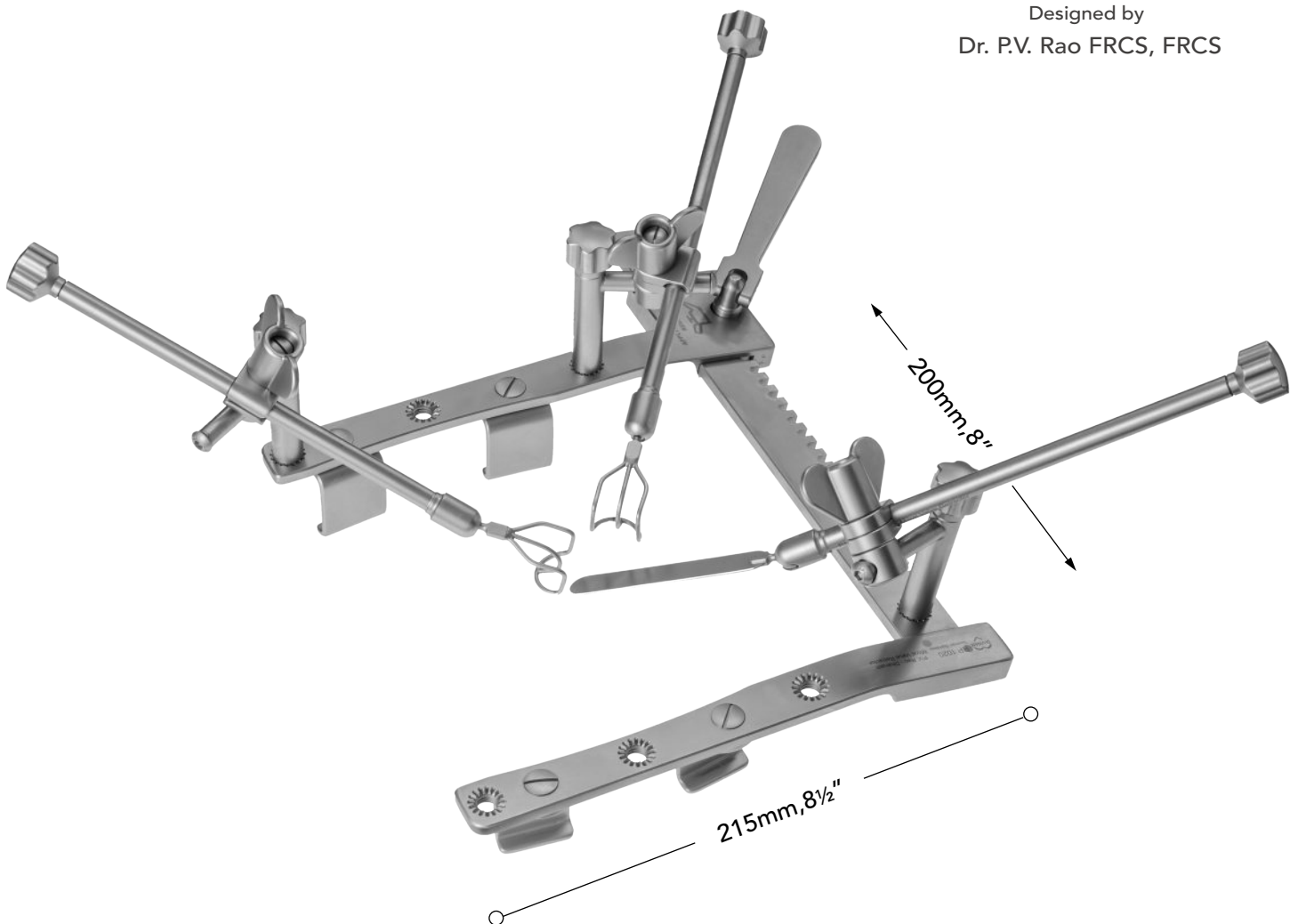
IMA Retractor Blade
(To convert standard double blade Retractor to IMA Retractor)

Rib / Sternal Spreaders

RP 1020



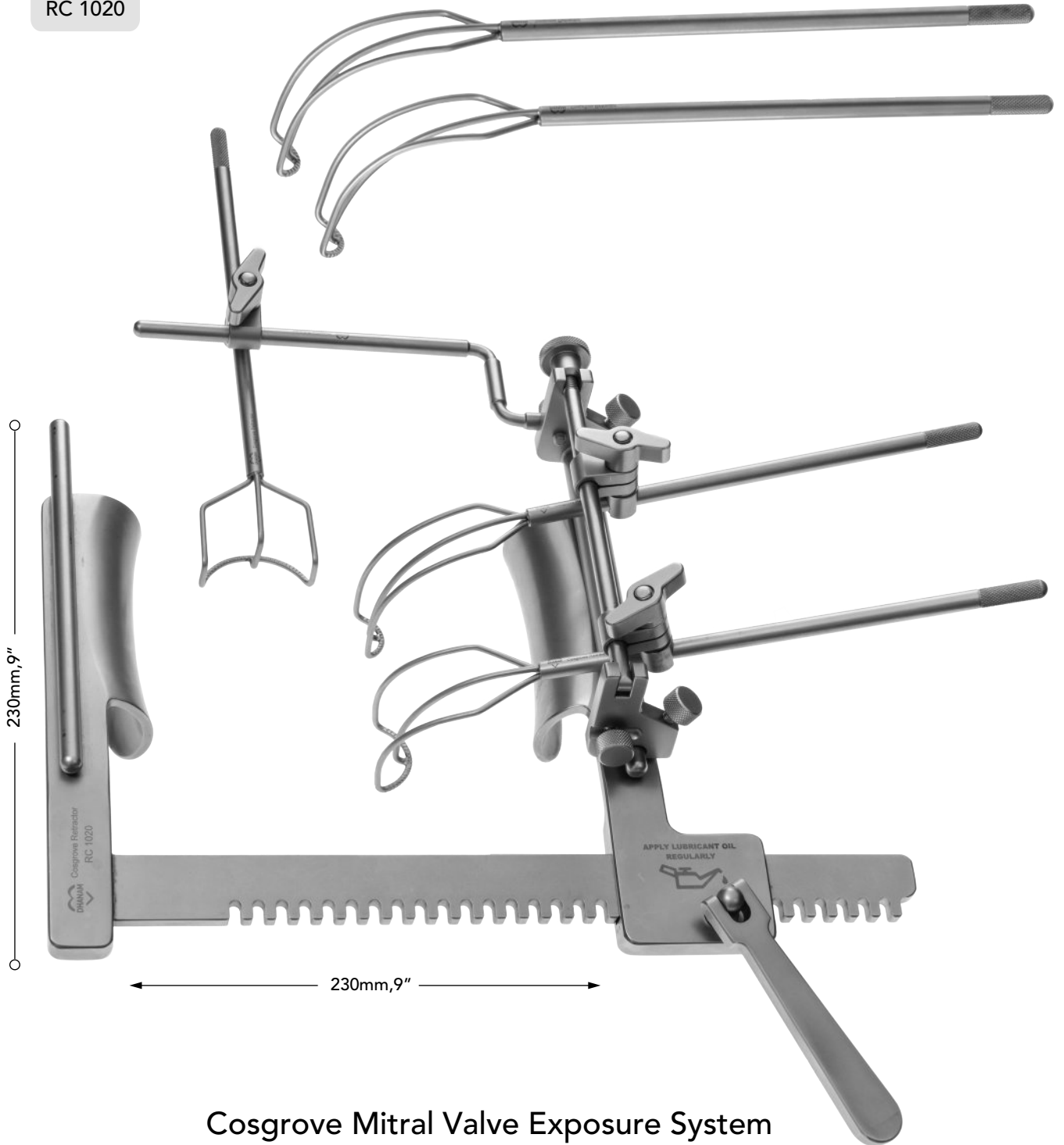
Designed by
Dr. P.V. Rao FRCS, FRCS



PV Rao-Dhanam Mitral Valve Exposure System

Rib / Sternal Spreaders

RC 1020



Cosgrove Mitral Valve Exposure System

Rib / Sternal Spreaders

RB 1018



1/1

Bailey Rib Approximator (Small)

RB 1020



1/1

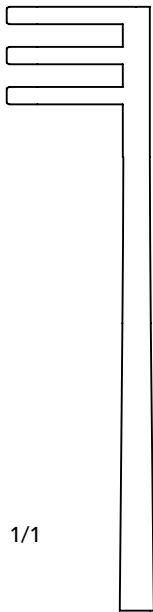
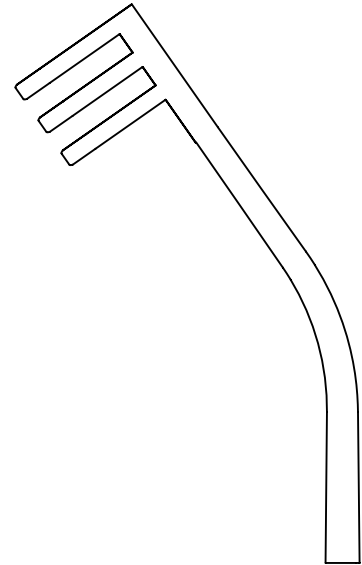
Bailey Rib Approximator (Big)

Self Retaining Retractors

RH 1113



RH 2113



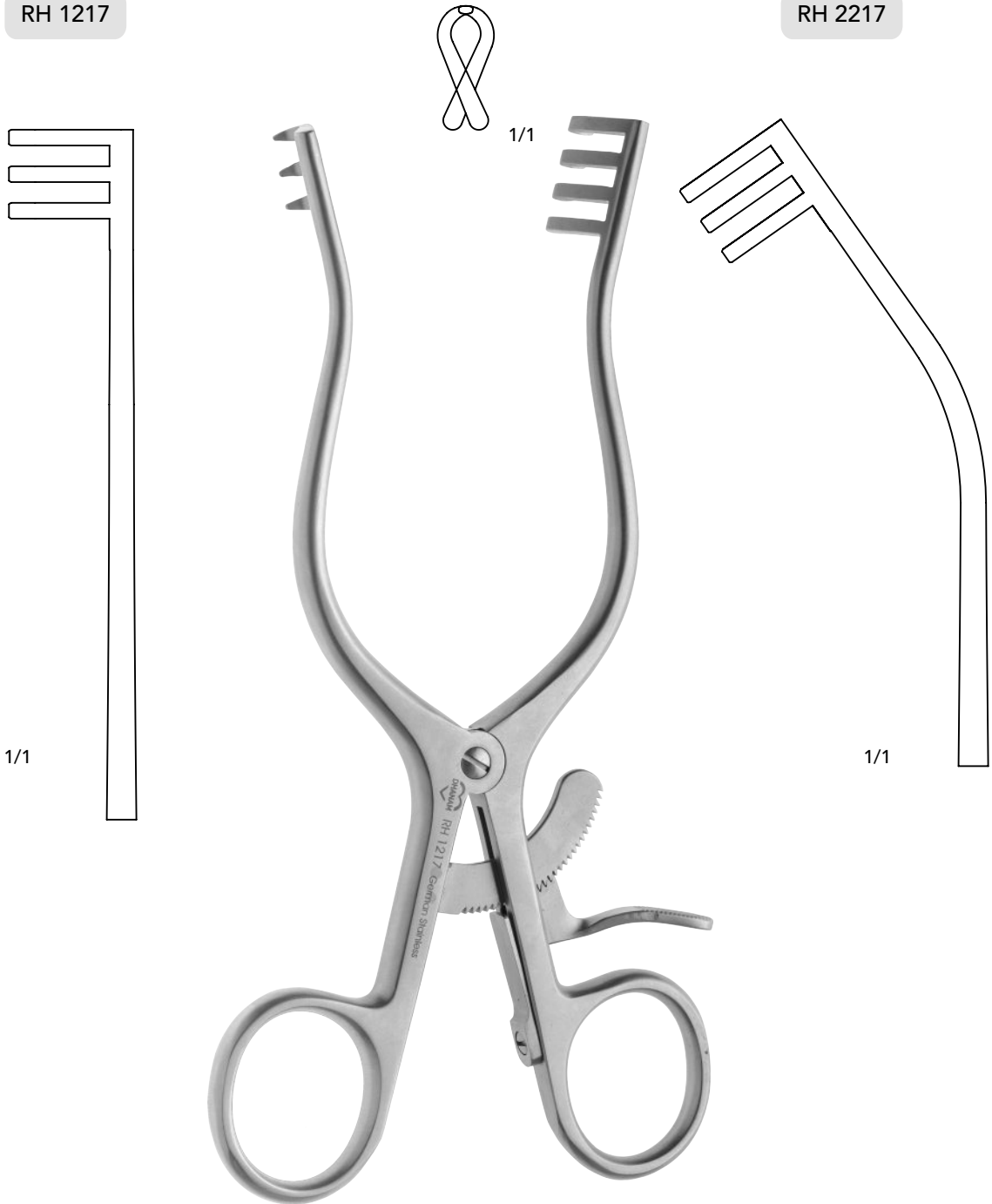
Henly Popliteal Self Retaining Retractor (Small) 5 1/2"

RETRACTORS

Self Retaining Retractors

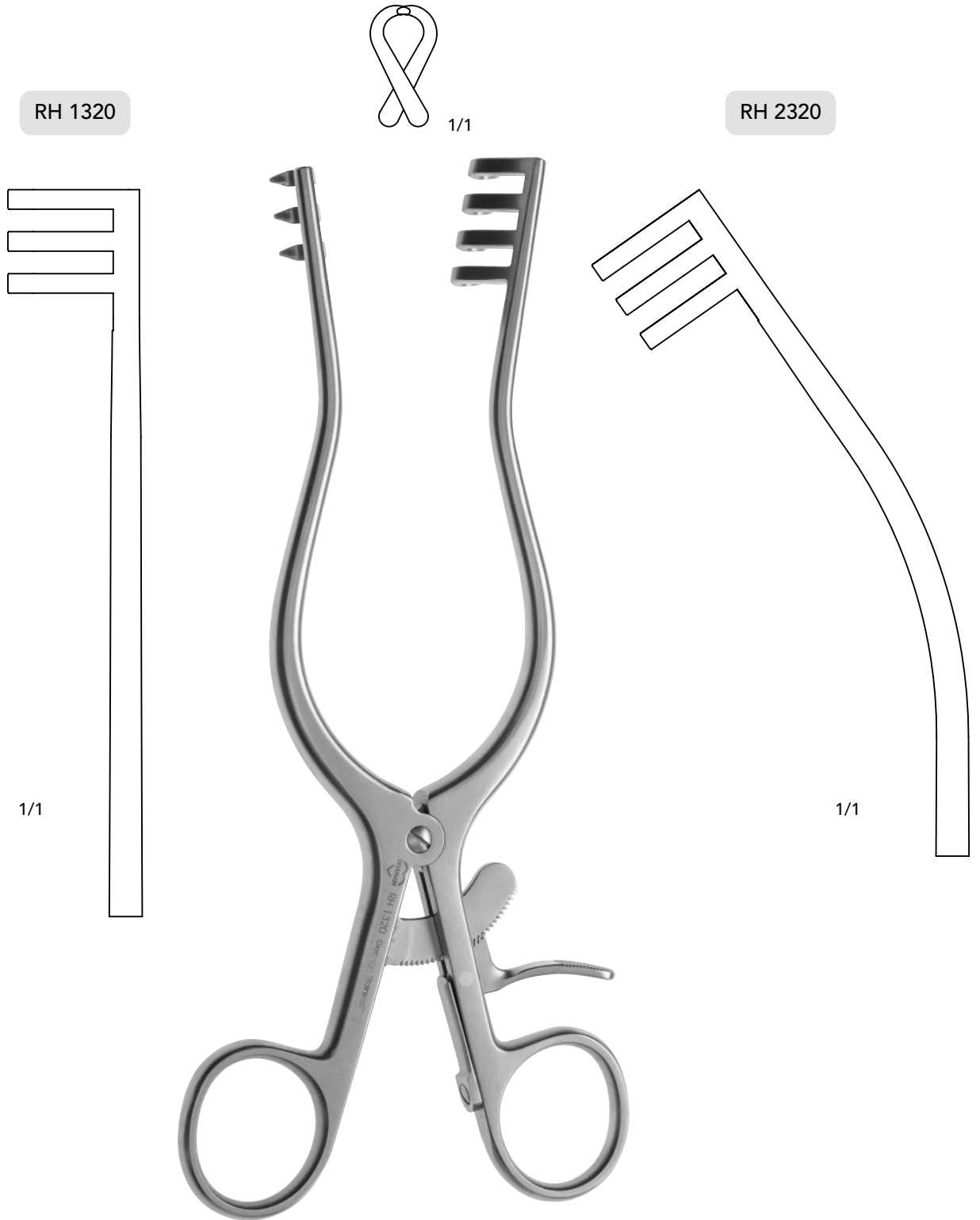
RH 1217

RH 2217



Henly Popliteal Self Retaining Retractor (Medium) 6 1/2"

Self Retaining Retractors



Henly Popliteal Self Retaining Retractor (Big) 8"

Cooly Mitral Valve Retractors



Size	L X W	Code
Small	35 x 25 mm	RC 2128
Medium	35 x 35 mm	RC 2228
Big	35 x 45 mm	RC 2328

Cooly Mitral Valve Retractors, Right

Cooly Mitral Valve Retractor



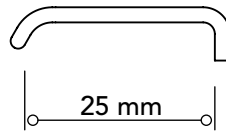
Size	L X W	Code
Small	25 x 25 mm	RC 3128
Medium	25 x 35 mm	RC 3228
Big	25 x 45 mm	RC 3328

Cooly Mitral Valve Retractors, Left

Kocher - Langenbeck Retractor



RL 4121

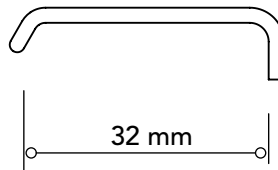


6 mm



1/1

RL 4221

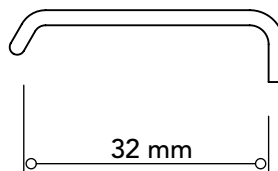


11 mm

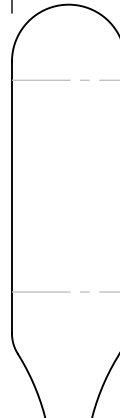


1/1

RL 4321



15 mm



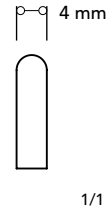
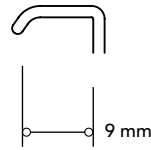
1/1

Kocher- Langenbeck Retractors

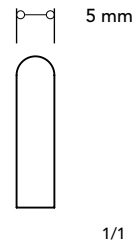
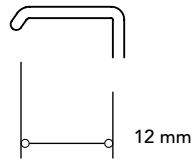
Baby - Langenbeck Retractor



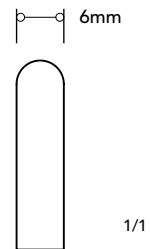
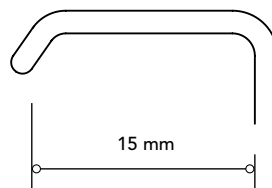
RL 4118



RL 4218



RL 4318



Baby- Langenbeck Retractors






Aortic Valve Retractors



Size	L X W	Code
Small	13 x 22 mm	RC 4127
Medium	17 x 24 mm	RC 4227
Big	30 x 28 mm	RC 4327

Aortic Valve Retractors



	RV 5120		
3 mm			1/1
	RV 5220		
6 mm			1/1
	RV 5320		
8 mm			1/1
	RV 5420		
10 mm			1/1
	RV 5520		
12 mm			1/1

VSD Retractors

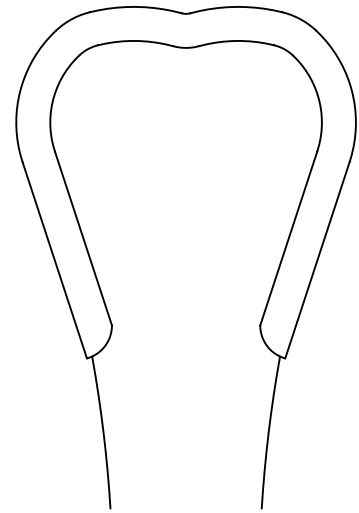
RETRACTORS

Harrington Retractors

RA 6130



45 mm

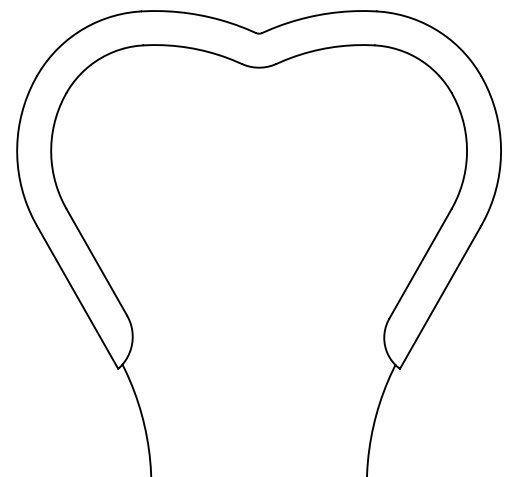


Medium

1/1

RA 6230

65 mm

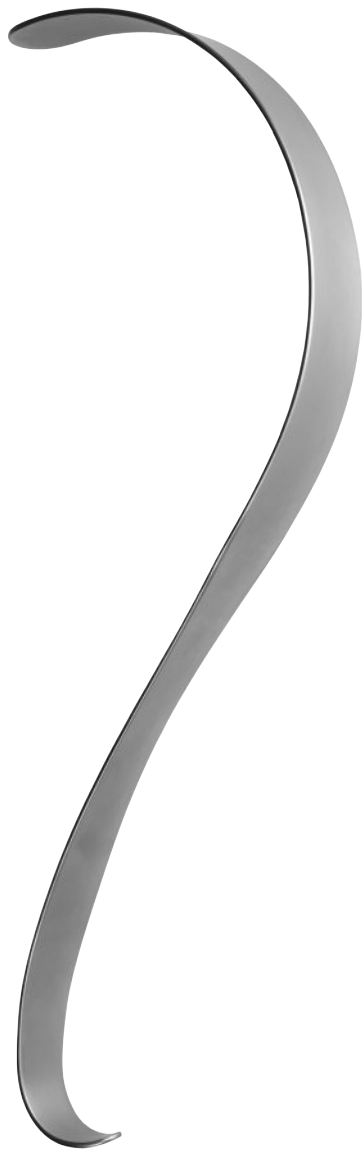


Big

1/1

Harrington Retractors 12"

RE 3028



Small
(26 mm)

RE 4034



Medium
(38 mm)

RE 5034



Big
(50 mm)

Davers Retractors 12"

RD 7120

RD 7222



Small



Big

Davidson Scapula Retractors 8"

RETRACTORS

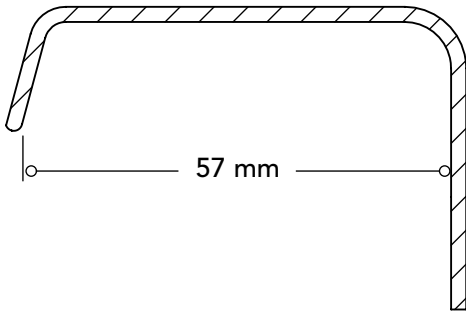
Allison Lung Retractors



Allison Lung Retractors

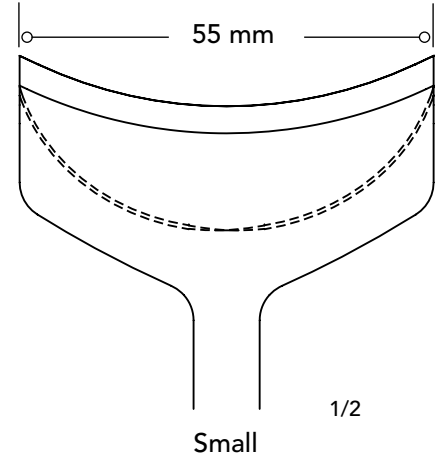
RETRACTORS

Mories Retractors

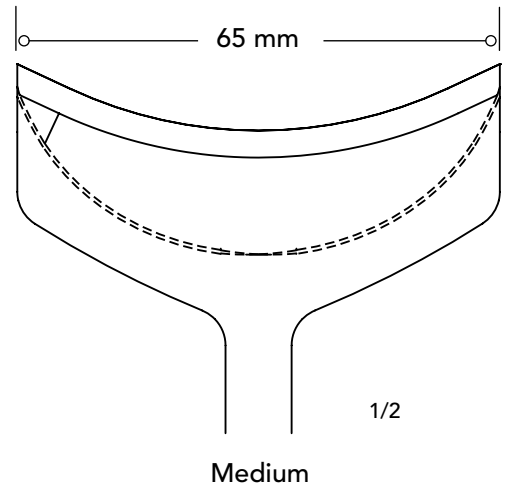


1/2

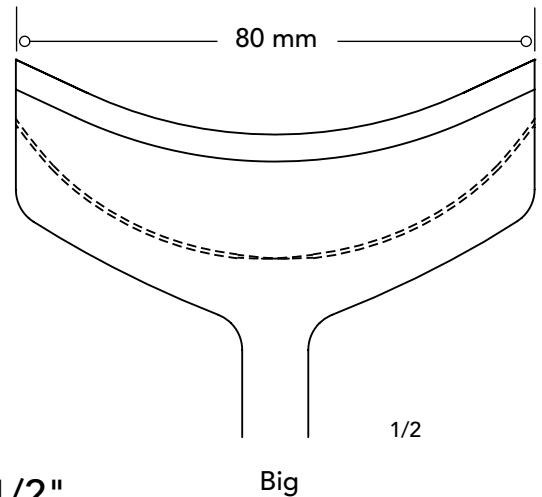
RO 1100



RO 1200



RO 1300



Mories Retractors 9 1/2"

RETRACTORS

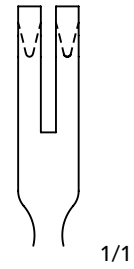
Rack Retractors



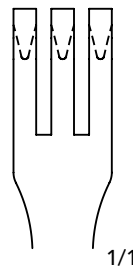
RR 9120



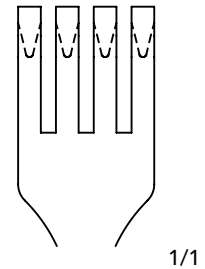
RR 9220



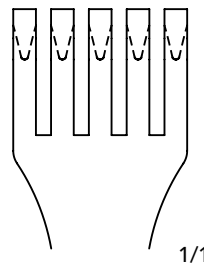
RR 9320



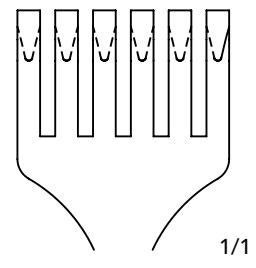
RR 9420



RR 9520



RR 9620



Rack Retractors

RR 9316



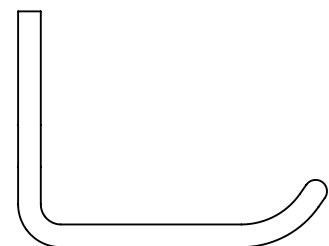
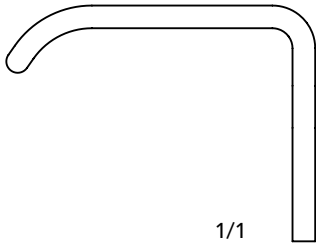
Baby Rack Retractor Three Hooks

RS 0318



Muller-Senn/Cats Paw Retractor

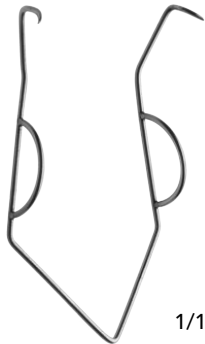
RZ 0220



Zereny Retractor

Epicardial Fat Retractors

RE 0104



1/1

Single Prong 1.5"

RE 0106



1/1

Single Prong 2"

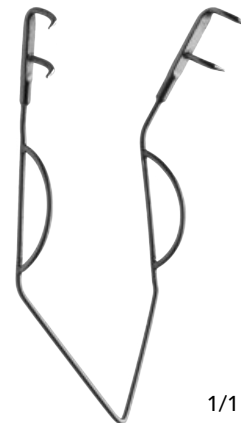
RE 0204



1/1

Two Prongs 1.5"

RE 0206



1/1

Two Prongs 2"

RE 0304



1/1

Three Prongs 1.5"


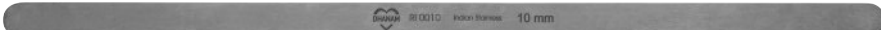








RE 0306



1/1

Three Prongs 2"

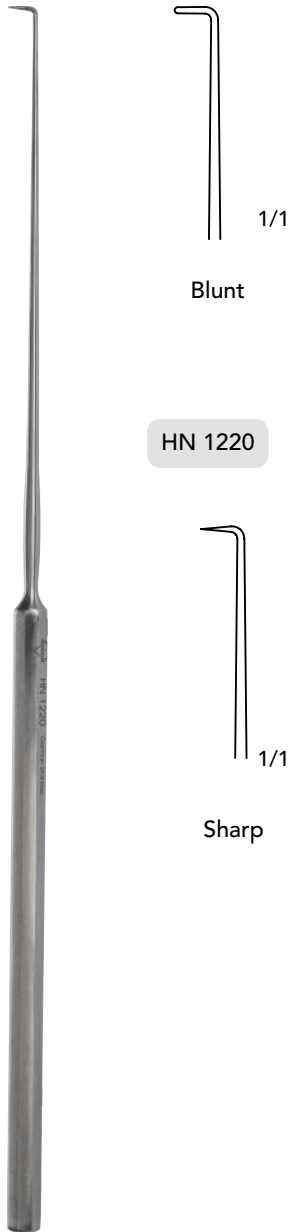
Epicardial Fat Retractors

RI 0005		5 mm
RI 0010		10 mm
RI 0015		15 mm
RI 0020		20 mm
RI 0025		25 mm
RI 0030		30 mm
RI 0035		35 mm
RI 0040		40 mm
RI 0045		45 mm
RI 0050		50 mm

Malleable / Ribbon Retractors

Hooks

HN 1120



Nerve Hook

HT 4120



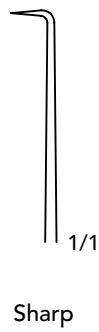
Tracheal Hook

HS 1318



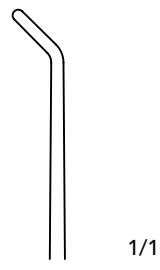
Skin Hook

HN 1220



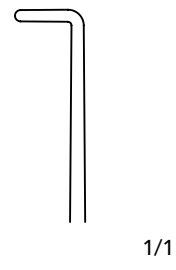


HM 2125



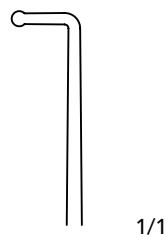
45 degree

HM 2225



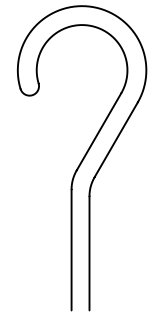
90 degree

HM 2325



90 degree Ball Tip

HM 2425



Question Mark Tip

Mitral Hooks



HG 3125



1/1

1.5 mm Small

HG 3225



1/1

2.0 mm Medium

HG 3325



1/1

2.6 mm Big

Snigger Rods

SRI DHANALAKSHMI INDUSTRIES

Plot No .17, Masilamani Street, Siva Vishnu
Nagar, Kundrathur, Chennai - 600069.

Email : info@dhanamsurgical.com

 **+91 99401 10238**

